

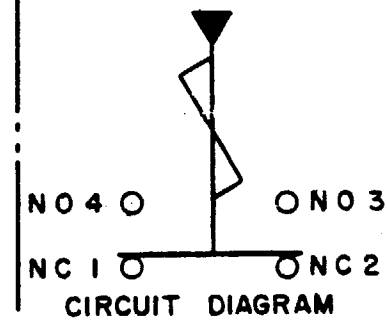
MICRO SWITCH

A DIVISION OF MINNEAPOLIS-HONEYWELL REGULATOR COMPANY
FREEPORT ILLINOIS

FED. MFR. CODE 91929

SWITCH-ENCLOSED

CATALOG LISTING
2LS111



M

2LS111

M

DRAWING NUMBER

III

ISSUE

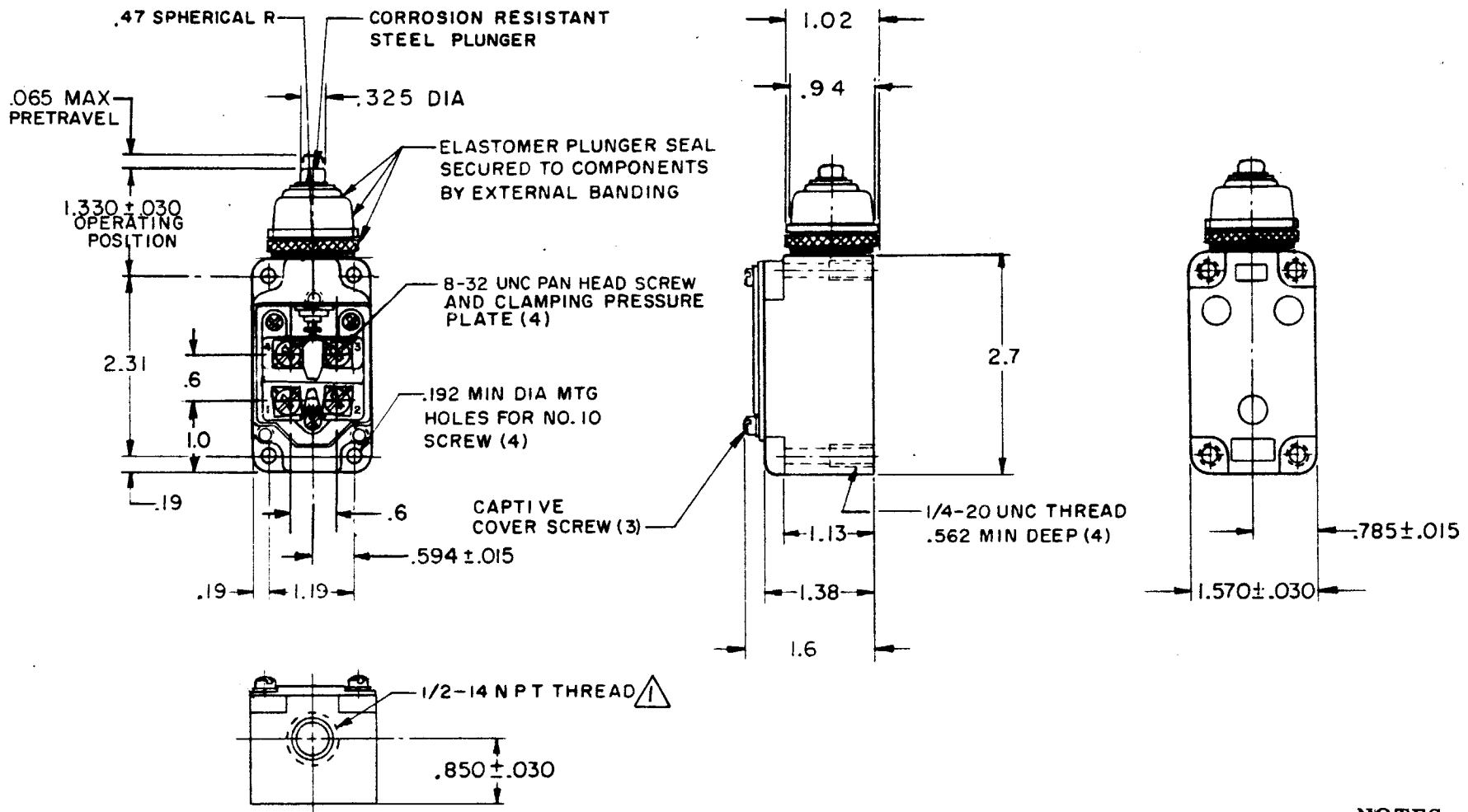
REPLACES

RELEASE NO. SR 12644

CHECK

REVISIONS

A	MADE	ETS	19 JULY 63
9	VDF	9 OCT 63	
B	CO20324	RER	8 OCT 68
C	SR 12644	WEG	28 DEC 66
D	CO23403	WEG	28 SEPT 68
E	CO 25152	WEG	19 JULY 63
F	CO 50952-F	TSK	8 JUNE 83
G	CO 53005-D	CJH	1 AUG 84
H	CO65814	SLB	23 MAY 90
J	CO 65814-E	GRT	21 NOV 90
K	CO 77031	JDB	22 DEC 93



NOTES:
① SEAL TO BE FURNISHED BY USER

THIS DRAWING COVERS A PROPRIETARY ITEM AND IS THE PROPERTY OF MICRO SWITCH, A DIVISION OF MINNEAPOLIS-HONEYWELL REGULATOR CO. THIS DRAWING IS NOT TO BE COPIED OR USED WITHOUT THE APPROVAL OF MICRO SWITCH.

CHARACTERISTICS	ELECTRICAL DATA	SCALE 1/2 TO 1
OPERATING FORCE — — — — 36 OZ MAX	CONTACT ARRANGEMENT	DO NOT SCALE PRINT
RELEASE FORCE — — — — 8 OZ MIN	(SEE CIRCUIT DIAGRAM)	UNLESS OTHERWISE SPECIFIED
DIFFERENTIAL TRAVEL — — — .009 MAX		DIMENSIONS ARE IN INCHES
OVERTRAVEL — — — — .219 MIN		TOLERANCES ARE:
RELEASE TRAVEL — — — — .010 MIN		ONE PLACE (.0) ±.030
SWITCH-BASIC REPLACEMENT — — 2MN3		TWO PLACE (.00) ±.018
		THREE PLACE (.000) ±.008
		ANGLES ±
		WEIGHT

② 10A - 120, 240 OR 480 VAC
1/3 HP - 120 VAC; 3/4 HP - 240 VAC
PILOT DUTY: 600 VAC MAX

FO-8037D-003

DRAWN
M B F 19 JULY 63